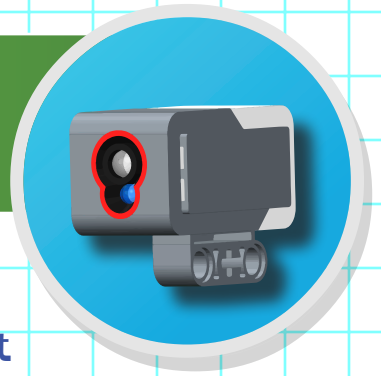


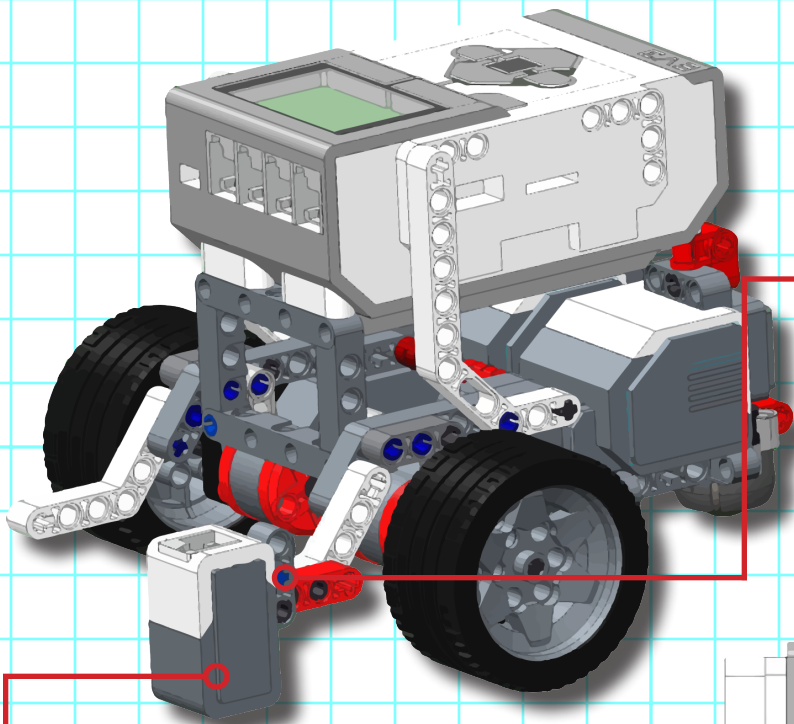


Building Tips



Color Sensor Attachment

The color sensor detects different colors on the driving surface. You can use the color sensor to trigger robot behaviors.



Attach to robot in two or more places for strength and stability

Point the sensor down so it can detect colors on the driving surface

Position the sensor near the bottom of the robot for the most accurate color detection

