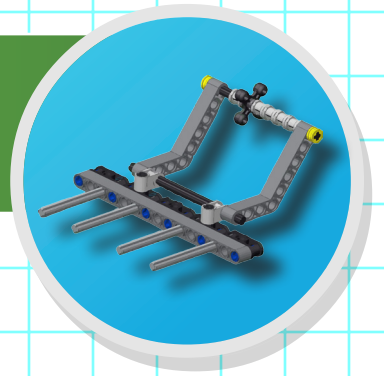




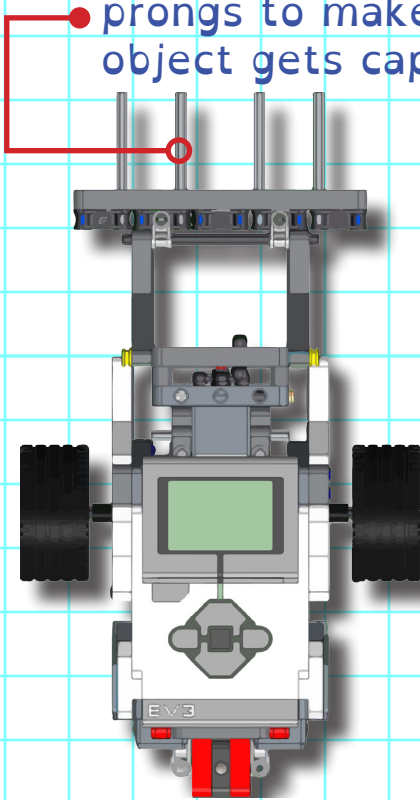
Building Tips

Lifting Attachment

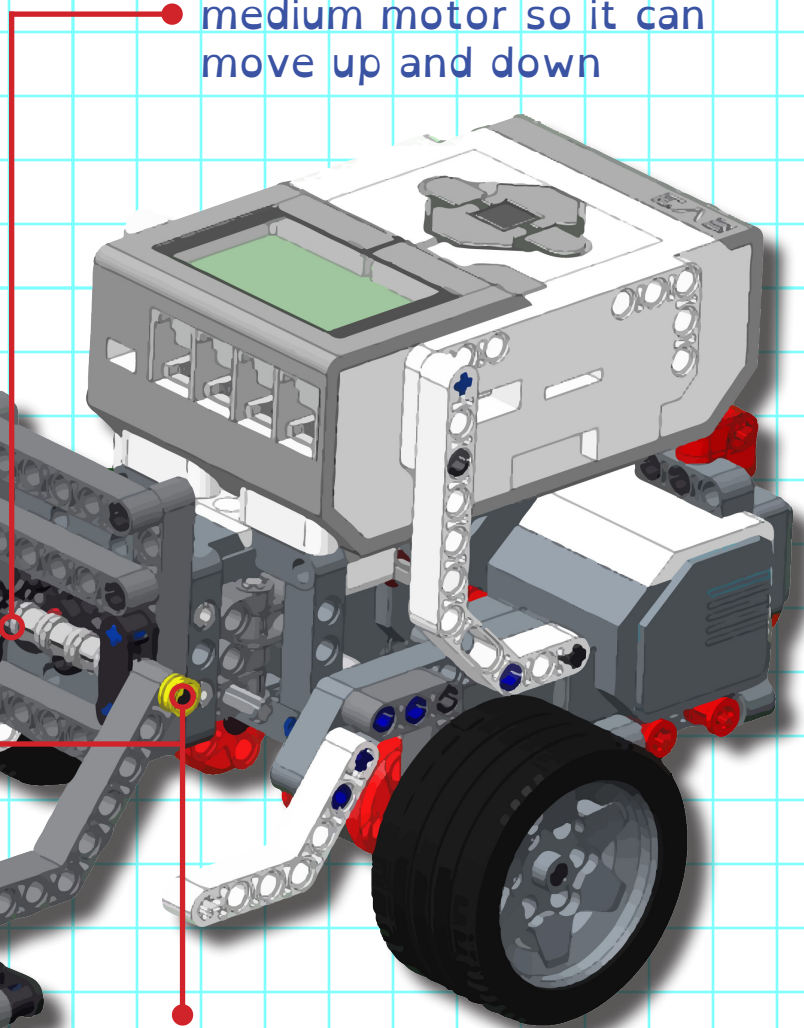


The design of the lifter depends on what you are trying to lift. Customize your design to work well with whatever you need to lift.

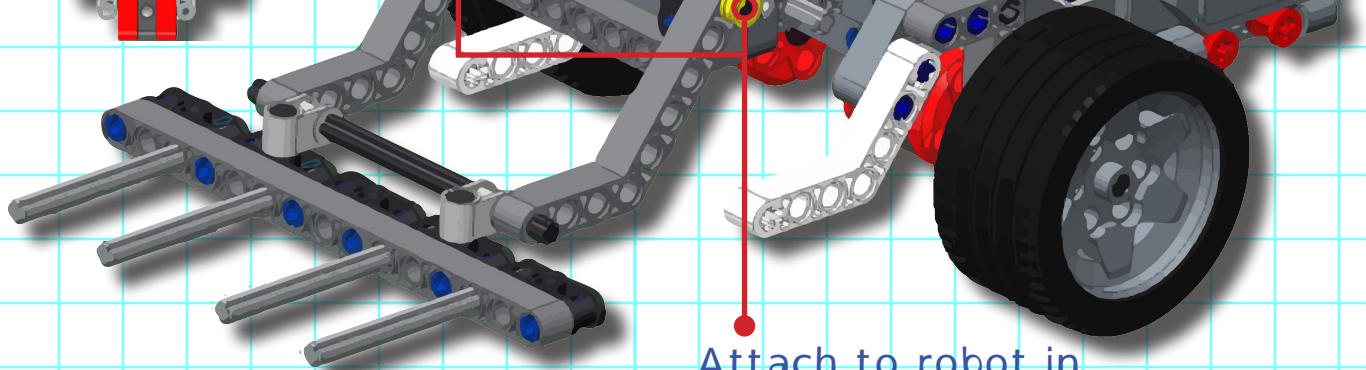
Add multiple lifting prongs to make sure the object gets captured



Attach the lifter to the medium motor so it can move up and down



Attach to robot in two or more places for strength



Note: This attachment can be modified to work with the quick connect system