



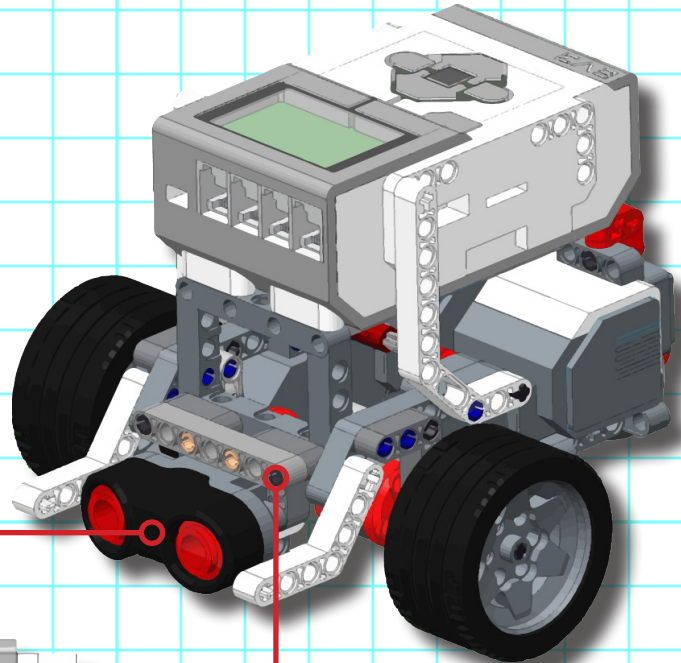
Building Tips

Ultrasonic Sensor Attachment



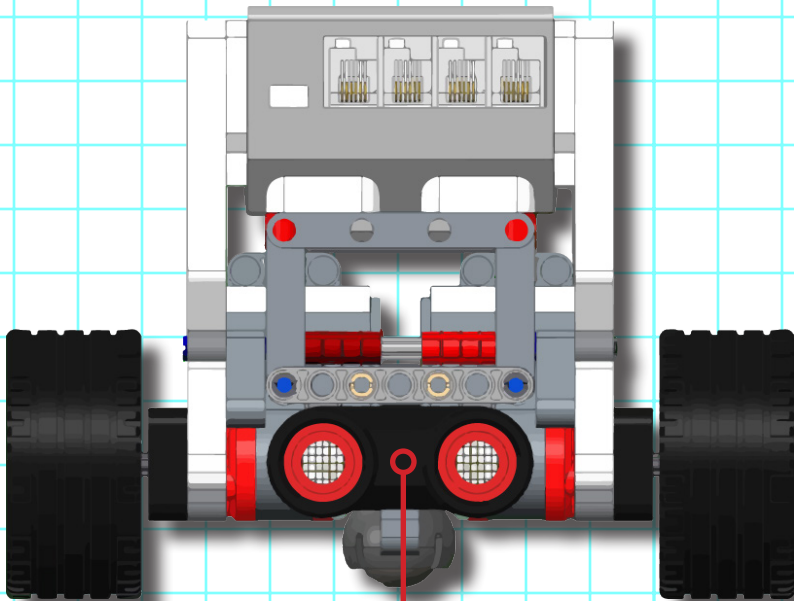
The ultrasonic sensor can detect objects in front of it.

Point the sensor in the direction of the object you want to detect



Attach to the robot in two or more places for strength and stability

Make sure the "eyes" aren't blocked by any part of your robot



Position the sensor at the height of the object you want to detect